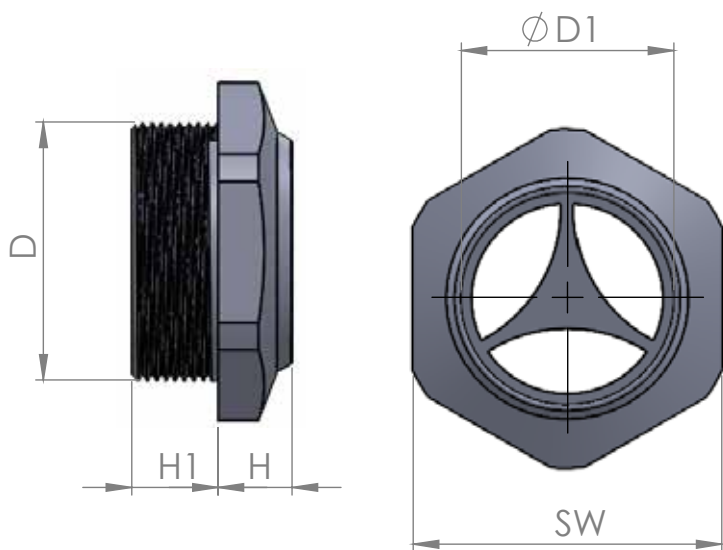


## Aluminum Oil Level Gauges



Product Code	Product Description	ØD	H	H1	SW	ØD1
CLIA-D09-K-H01	3/8" Aluminum Oil Level Gauge	G 3/8"	10,5	9	22	12
CLIA-D12-K-H01	1/2" Aluminum Oil Level Gauge	G 1/2"	12,5	8,5	27	17,5
CLIA-D15-K-H01	3/4" Aluminum Oil Level Gauge	G 3/4"	12,5	10	32	20
CLIA-D18-K-H01	1" Aluminum Oil Level Gauge	G 1"	13	10	40	27
CLIA-D21-K-H01	1 1/4" Aluminum Oil Level Gauge	G 1 1/4"	14	12	50	30,5
*CLIA-D06-K-H01	1/4" Aluminum Oil Level Gauge	G 1/4"				
*CLIA-D24-K-H01	1 1/2" Aluminum Oil Level Gauge	G 1 1/2"				

## ORDERING AND OPTION CHART

SERIES	CLIA						
SIZE & LENGTH	D06	D09	D12	D15	D18	D21	D24
	1/4"	3/8"	1/2"	3/4"	1"	1 1/4"	1 1/2"
FLAT SEAL	K	B					
	Klingrite	Bonded Seal	(Option)				

HYDROAS Standart	H01
Customized	HXX

\* Please get in contact with us for details.