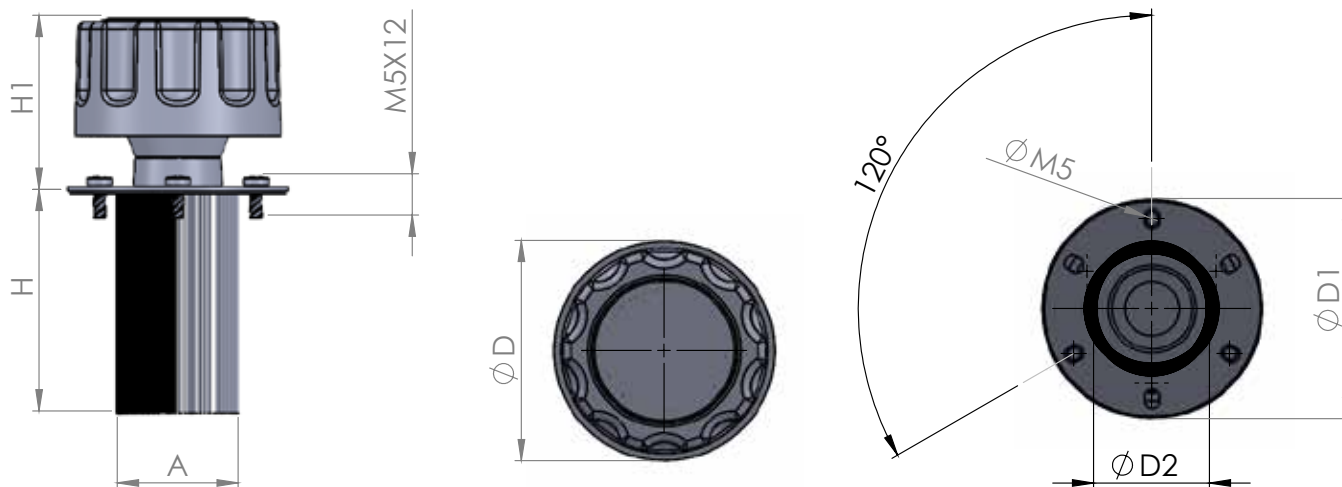


Filling breathers



Product Code	Product Description	H1	H	A	ØD	ØD1	ØD2
TCHT-D18-N-400-H1	Filling breathers Large Size With Screwed (Nickel Plated)	65	86	46	80	86	1"
TCHT-D18-P-400-H1	Filling breathers Large Size With Screwed (Black Colored)	65	86	46	80	86	1"
TCHT-D18-N-149-H1	Filling breathers Large Size With Screwed (Nickel Plated)	65	86	46	80	86	1"
TCHT-D18-P-149-H1	Filling breathers Large Size With Screwed (Black Colored)	65	86	46	80	86	1"
TCHT-D12-N-400-H1	Filling breathers Small Size With Screwed (Nickel Plated)	42	68	27	54	51	1/2"

ORDERING AND OPTION CHART

SERIES	TCHT	
CONNECTIONS	D18	D12
	1"	1/2"
COVERING	N	P
	Nickel Plated	Painted
FILTRATION RATING	400	149
	Nylon6 Mesh / 400 µ	Metal Mesh / 149 µ

HYDROAS Standart H01