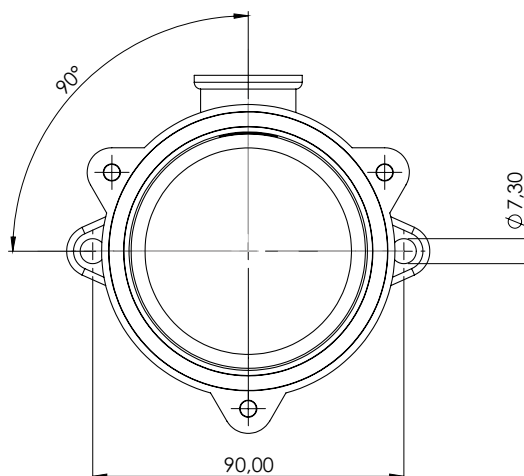
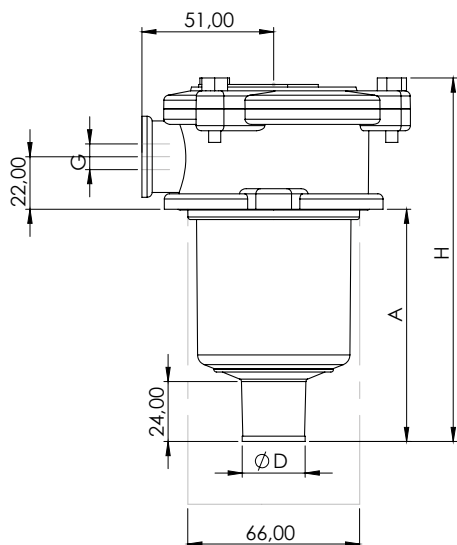


Hydraulic Return Filter



Product Code	Flow lt/min	Product Description	A	H	ØD
RTFH05-0501-D12-S25-H01	40	Return Filter (05 Series 40 lt/min 25 µ G1/2 Connection)	88	140	24
RTFH05-0501-D12-M60-H01	70	Return Filter (05 Series 70 lt/min 60 µ G1/2 Connection)	88	140	24
RTFH05-0501-D12-F10-H01	40	Return Filter (05 Series 40 lt/min 10 µ G1/2 Connection)	88	140	24

<b>SERIES</b>	<b>RTFH05</b>
---------------	---------------

Filtration Value	F10	C25	M60
	10 µ	25 µ	60 µ
	Fiber Glass	Cellulose	Wire Mesh

<b>Connection Measurement</b>	<b>D12</b>
	G 1/2"

<b>By-Pass Setting Valve</b>	<b>B17</b>
	1,7 Bar

<b>HYDROAS Standart</b>	<b>H01</b>
Customized	HXX

Spare Component Code	Product Description	H2	ØD1
RFCH-0501-F10-D	Filter Element (05 Series 10 µ)	67	50
RFCH-0501-C25-D	Filter Element (05 Series 25 µ)	67	50
RFCH-0501-M60-D	Filter Element (05 Series 60 µ)	67	50

