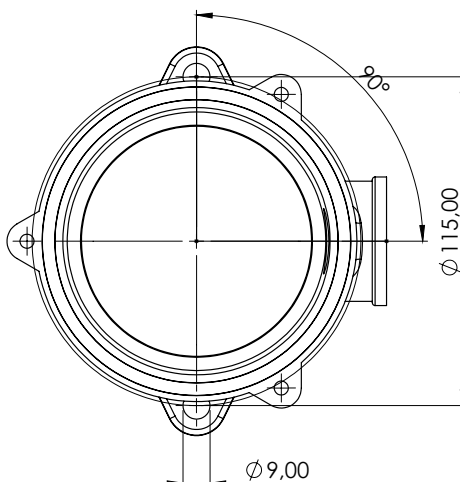
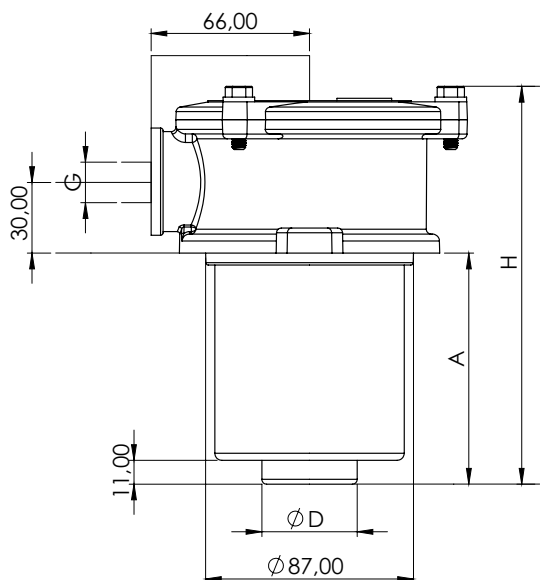


Hydraulic Return Filter



Product Code	Flow lt/min	Product Description	A	H	ØD
RTFH10-1001-D12-25-H01	65	Return Filter (10 Series 65 lt/min 25 µ G1/2 Connection)	103	172	1"
RTFH10-1001-D12-60-H01	115	Return Filter (10 Series 115 lt/min 25 µ G1/2 Connection)	103	172	1"
RTFH10-1001-D12-10-H01	65	Return Filter (10 Series 65 lt/min 25 µ G1/2 Connection)	103	172	1"
RTFH10-1001-D15-25-H01	65	Return Filter (10 Series 65 lt/min 25 µ G3/4 Connection)	103	172	1"
RTFH10-1001-D15-60-H01	115	Return Filter (10 Series 115 lt/min 60 µ G3/4 Connection)	103	172	1"
RTFH10-1001-D15-10-H01	65	Return Filter (10 Series 65 lt/min 10 µ G3/4 Connection)	103	172	1"
RTFH20-2001-D15-25-H01	110	Return Filter (20 Series 110 lt/min 25 µ G3/4 Connection)	136	205	1"
RTFH20-2001-D15-60-H01	150	Return Filter (20 Series 150 lt/min 60 µ G3/4 Connection)	136	205	1"
RTFH20-2001-D15-10-H01	110	Return Filter (20 Series 110 lt/min 10 µ G3/4 Connection)	136	205	1"
RTFH20-2001-D18-25-H01	110	Return Filter (20 Series 110 lt/min 25 µ G1 Connection)	136	205	1"
RTFH20-2001-D18-60-H01	150	Return Filter (20 Series 150 lt/min 60 µ G1 Connection)	136	205	1"
RTFH20-2001-D18-10-H01	110	Return Filter (20 Series 110 lt/min 10 µ G1 Connection)	136	205	1"
RTFH22-2201-D18-25-H01	200	Return Filter (22 Series 200 lt/min 25 µ G1 Connection)	220	290	1"
RTFH22-2201-D18-60-H01	220	Return Filter (22 Series 220 lt/min 60 µ G1 Connection)	220	290	1"
RTFH22-2201-D18-10-H01	220	Return Filter (22 Series 220 lt/min 10 µ G1 Connection)	220	290	1"

SERIES	RTFH10
	RTFH20
	RTFH22

Filtration Value	F10	C25	M60
	10 µ	25 µ	60 µ
	Fiber Glass	Cellulose	Wire Mesh

Connection Measurement	D12	D15	D18
	G 1/2"	G 3/4"	G 1"

By-Pass Setting Valve	B17
	1,7 Bar

HYDROAS Standart	H01
Customized	HXX

Spare Component Code	Product Description	H2	ØD1
RFCH-1001-F10-D	Filter Element (10 Series 10 µ)	100	70
RFCH-1001-C25-D	Filter Element (10 Series 25 µ)	100	70
RFCH-1001-M60-D	Filter Element (10 Series 60 µ)	100	70
RFCH-2001-F10-D	Filter Element (20 Series 10 µ)	130	70
RFCH-2001-C25-D	Filter Element (20 Series 25 µ)	130	70
RFCH-2001-M60-D	Filter Element (20 Series 60 µ)	130	70
RFCH-2201-F10-D	Filter Element (20 Series 10 µ)	225	70
RFCH-2201-C25-D	Filter Element (20 Series 25 µ)	225	70
RFCH-2201-M60-D	Filter Element (20 Series 60 µ)	225	70

