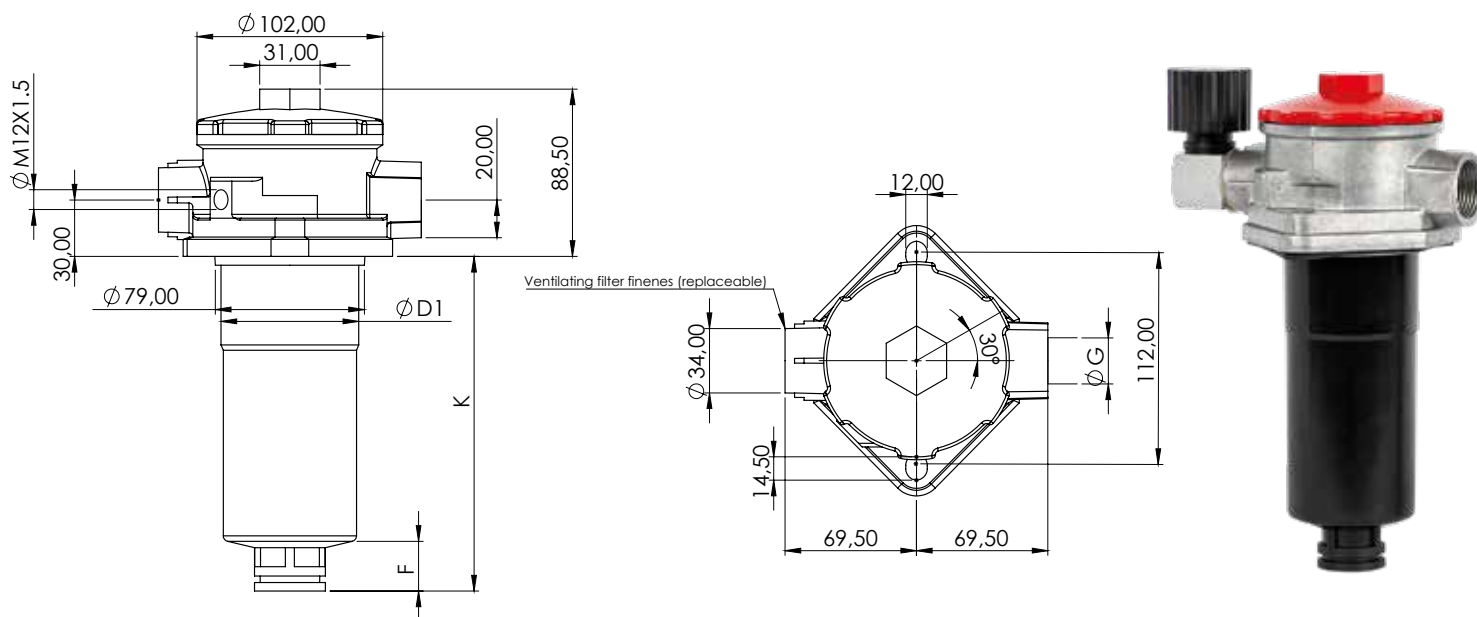


Hydraulic Return Filter



Product Code	Flow lt/min	Product Description	A	H	ØD
RTFH60-10001-D15-S25-H01	260	Return Filter (100 Series 260 lt/min 25 µ G3/4 Connection)	24	176	73
RTFH60-10001-D15-M60-H01	340	Return Filter (100 Series 340 lt/min 60 µ G3/4 Connection)	24	176	73
RTFH60-10001-D15-F10-H01	260	Return Filter (100 Series 260 lt/min 10 µ G3/4 Connection)	24	176	73
RTFH60-10001-D18-S25-H01	260	Return Filter (100 Series 260 lt/min 25 µ G1 Connection)	24	176	73
RTFH60-10001-D18-M60-H01	340	Return Filter (100 Series 340 lt/min 60 µ G1 Connection)	24	176	73
RTFH60-10001-D18-F10-H01	260	Return Filter (100 Series 260 lt/min 10 µ G1 Connection)	24	176	73

<b>SERIES</b>	RTFH100
---------------	---------

Filtration Value	F10	C25	M60
	10 µ	25 µ	60 µ
	Fiber Glass	Cellulose	Wire Mesh

Connection Measurement	D15	D18
	G 3/4"	G 1"

By-Pass Setting Valve	B17
	1,7 Bar

HYDROAS Standart	H01
Customized	HXX

Spare Component Code	Product Description	H2	ØD2	ØA2
RFCH-10001-C25-D	Filter Element (100 Series 25 µ)	207	61,5	28
RFCH-10001-M60-D	Filter Element (100 Series 60 µ)	207	61,5	28
RFCH-10001-F10-D	Filter Element (100 Series 10 µ)	207	61,5	28

