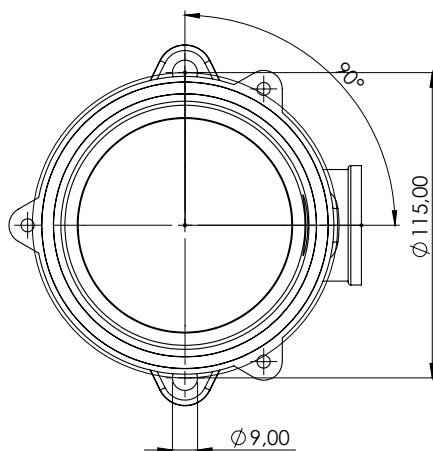
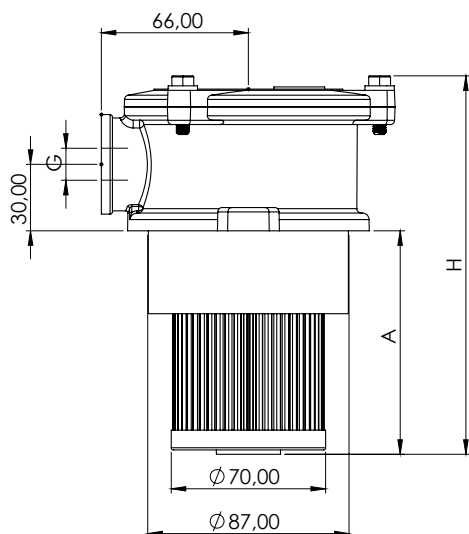


Hydraulic Return Filter



Product Code	Flow lt/min	Product Description	A	H
RTFH30-3001-D12-S25-H01	80	Return Filter (30 Series 80 lt/min 25 μ G1/2 Connection)	85	155
RTFH30-3001-D12-M60-H01	120	Return Filter (30 Series 120 lt/min 60 μ G1/2 Connection)	85	155
RTFH30-3001-D15-S25-H01	80	Return Filter (30 Series 80 lt/min 25 μ G3/4 Connection)	85	155
RTFH30-3001-D15-M60-H01	120	Return Filter (30 Series 120 lt/min 60 μ G3/4 Connection)	85	155
RTFH30-3201-D15-S25-H01	150	Return Filter (32 Series 150 lt/min 25 μ G3/4 Connection)	115	185
RTFH30-3201-D15-M60-H01	190	Return Filter (32 Series 190 lt/min 60 μ G3/4 Connection)	115	185
RTFH30-3201-D18-S25-H01	150	Return Filter (32 Series 150 lt/min 25 μ G 1 Connection)	115	185
RTFH30-3201-D18-M60-H01	190	Return Filter (32 Series 190 lt/min 60 μ G 1 Connection)	115	185
RTFH30-3601-D15-S25-H01	180	Return Filter (36 Series 180 lt/min 25 μ G3/4 Connection)	165	235
RTFH30-3601-D15-M60-H01	220	Return Filter (36 Series 220 lt/min 60 μ G3/4 Connection)	165	235
RTFH30-3601-D18-S25-H01	180	Return Filter (36 Series 180 lt/min 25 μ G 1 Connection)	165	235
RTFH30-3601-D18-M60-H01	220	Return Filter (36 Series 220 lt/min 60 μ G 1 Connection)	165	235
RTFH30-3901-D18-S25-H01	235	Return Filter (39 Series 235 lt/min 25 μ G 1 Connection)	229	299
RTFH30-3901-D18-M60-H01	300	Return Filter (39 Series 300 lt/min 60 μ G 1 Connection)	229	299

SERIES	RTFH30
	RTFH32
	RTFH36
	RTFH39

Filtration Value	C25	M60
	25 μ	60 μ
	Cellulose	Wire Mesh

Connection Measurement	D12	D15	D18
	G 1/2"	G 3/4"	G 1"

By-Pass Setting Valve	B17
	1,7 Bar

HYDROAS Standart	H01
Customized	HXX

Spare Component Code	Product Description	H2	$\phi D1$
RFCH-3001-C25-D	Filter Element (30 Series 25 μ)	100	70
RFCH-3001-M60-D	Filter Element (30 Series 60 μ)	100	70
RFCH-3201-C25-D	Filter Element (32 Series 25 μ)	130	70
RFCH-3201-M60-D	Filter Element (32 Series 60 μ)	130	70
RFCH-3601-C25-D	Filter Element (36 Series 25 μ)	180	70
RFCH-3601-M60-D	Filter Element (36 Series 60 μ)	180	70
RFCH-3901-C25-D	Filter Element (39 Series 25 μ)	250	70
RFCH-3901-M60-D	Filter Element (39 Series 60 μ)	250	70

