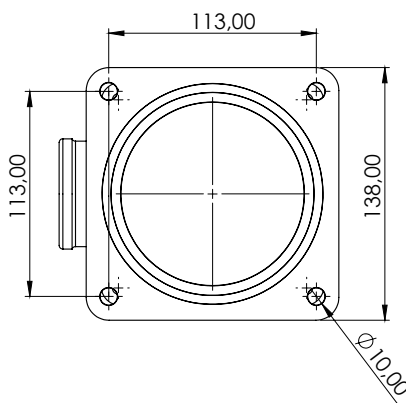
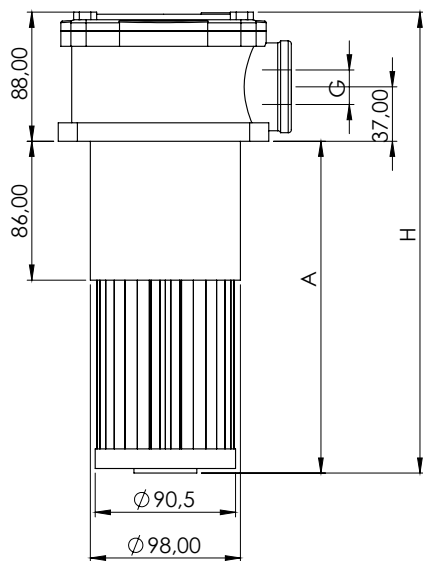


Hydraulic Return Filter



Product Code	Flow lt/min	Product Description	A	H
RTFH40-4001-D18-S25-H01	260	Return Filter (40 Series 260 lt/min 25 µ G1 Connection)	235	321
RTFH40-4001-D18-M60-H01	340	Return Filter (40 Series 340 lt/min 60 µ G1 Connection)	235	321
RTFH40-4001-D18-F10-H01	260	Return Filter (40 Series 260 lt/min 10 µ G1 Connection)	235	321
RTFH40-4001-D21-S25-H01	260	Return Filter (40 Series 260 lt/min 25 µ G1 1/4 Connection)	235	321
RTFH40-4001-D21-M60-H01	340	Return Filter (40 Series 340 lt/min 60 µ G1 1/4 Connection)	235	321
RTFH40-4001-D21-F10-H01	260	Return Filter (40 Series 260 lt/min 10 µ G1 1/4 Connection)	235	321
RTFH40-4001-D24-S25-H01	260	Return Filter (40 Series 260 lt/min 25 µ G1 1/2 Connection)	235	321
RTFH40-4001-D24-M60-H01	340	Return Filter (40 Series 340 lt/min 60 µ G1 1/2 Connection)	235	321
RTFH40-4001-D24-F10-H01	260	Return Filter (40 Series 260 lt/min 10 µ G1 1/2 Connection)	235	321
RTFH40-5001-D21-S25-H01	360	Return Filter (50 Series 360 lt/min 25 µ G1 1/4 Connection)	445	531
RTFH40-5001-D21-M60-H01	480	Return Filter (50 Series 480 lt/min 60 µ G1 1/4 Connection)	445	531
RTFH40-5001-D21-F10-H01	360	Return Filter (50 Series 360 lt/min 10 µ G1 1/4 Connection)	445	531
RTFH40-5001-D24-S25-H01	360	Return Filter (50 Series 360 lt/min 25 µ G1 1/2 Connection)	445	531
RTFH40-5001-D24-M60-H01	480	Return Filter (50 Series 480 lt/min 60 µ G1 1/2 Connection)	445	531
RTFH40-5001-D24-F10-H01	360	Return Filter (50 Series 360 lt/min 10 µ G1 1/2 Connection)	445	531

<b>SERIES</b>	RTFH40
	RTFH50

<b>Filtration Value</b>	F10	C25	M60
	10 µ	25 µ	60 µ
	Fiber Glass	Cellulose	Wire Mesh

<b>Connection Measurement</b>	D18	D21	D24
	G 1"	G 1 1/4	G 1 1/2

<b>By-Pass Setting Valve</b>	B17
	1,7 Bar

<b>HYDROAS Standart</b>	H01
Customized	HXX

Spare Component Code	Product Description	H2	ØD1
RFCH-4001-C25-D	Filter Element (40 Series 25 µ)	250	90,5
RFCH-4001-M60-D	Filter Element (40 Series 60 µ)	250	90,5
RFCH-4001-F10-D	Filter Element (40 Series 10 µ)	250	90,5
RFCH-5001-C25-D	Filter Element (50 Series 25 µ)	453	90,5
RFCH-5001-M60-D	Filter Element (50 Series 60 µ)	453	90,5
RFCH-5001-F10-D	Filter Element (50 Series 10 µ)	453	90,5

