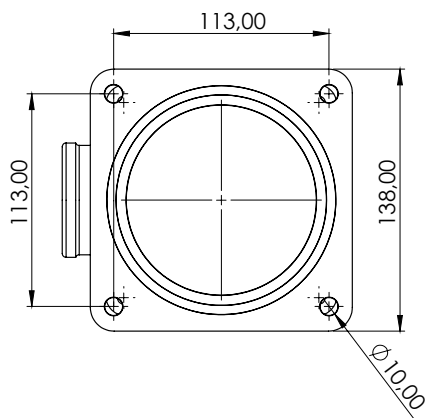
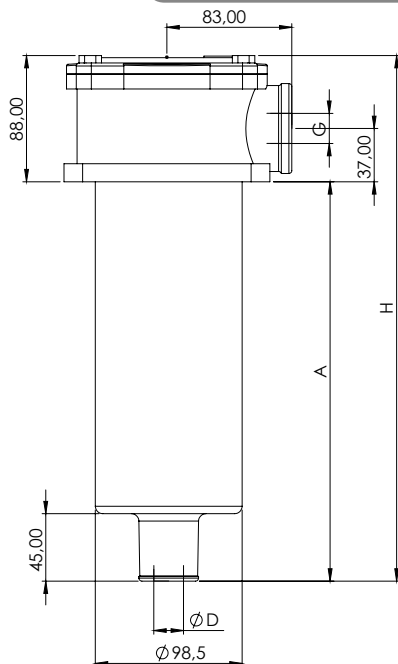


Hydraulic Return Filter



Product Code	Flow lt/min	Product Description	A	H	ØD
RTFH60-6001-D18-S25-H01	260	Return Filter (60 Series 260 lt/min 25 µ G1 Connection)	285	369,5	31
RTFH60-6001-D18-M60-H01	340	Return Filter (60 Series 340 lt/min 60 µ G1 Connection)	285	369,5	31
RTFH60-6001-D18-F10-H01	260	Return Filter (60 Series 260 lt/min 10 µ G1 Connection)	285	369,5	31
RTFH60-6001-D21-S25-H01	260	Return Filter (60 Series 260 lt/min 25 µ G1 1/4 Connection)	285	369,5	31
RTFH60-6001-D21-M60-H01	340	Return Filter (60 Series 340 lt/min 60 µ G1 1/4 Connection)	285	369,5	31
RTFH60-6001-D21-F10-H01	260	Return Filter (60 Series 260 lt/min 10 µ G1 1/4 Connection)	285	369,5	31
RTFH60-6001-D24-S25-H01	260	Return Filter (60 Series 260 lt/min 25 µ G1 1/2 Connection)	285	369,5	31
RTFH60-6001-D24-M60-H01	340	Return Filter (60 Series 340 lt/min 60 µ G1 1/2 Connection)	285	369,5	31
RTFH60-6001-D24-F10-H01	260	Return Filter (60 Series 260 lt/min 10 µ G1 1/2 Connection)	285	369,5	31

SERIES RTFH60

Filtration Value	F10	C25	M60
	10 µ	25 µ	60 µ
	Fiber Glass	Cellulose	Wire Mesh

Connection Measurement	D18	D21	D24
	G 1"	G 1 1/4"	G 1 1/2"

By-Pass Setting Valve	B17
	1,7 Bar

HYDROAS Standart	H01
Customized	HXX

Spare Component Code	Product Description	H2	ØD1
RFCH-6001-C25-D	Filter Element (60 Series 25 µ)	250	90
RFCH-6001-M60-D	Filter Element (60 Series 60 µ)	250	90
RFCH-6001-F10-D	Filter Element (60 Series 10 µ)	250	90

