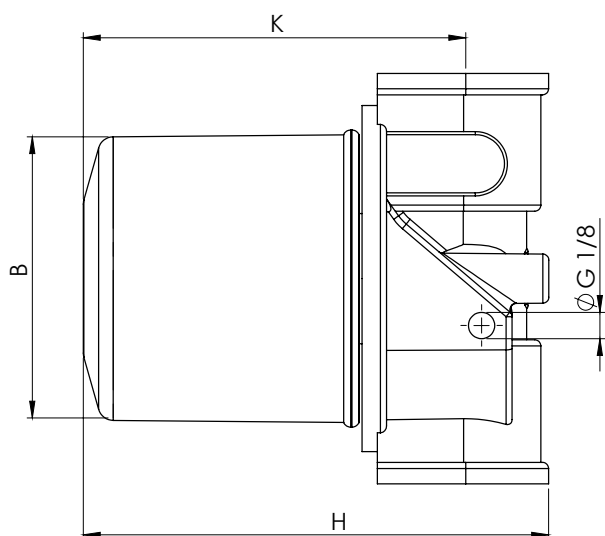


Hydraulic Spin-On Filter



Product Code	Flow lt/min	Product Description	H	B	K
SOFH10-1001-D12-S25-H01	35	Spin On Filter (10 Series 35 lt/min 25 µ G1/2 Connection)	140	94	118
SOFH20-2001-D15-F10-H01	55	Spin On Filter (20 Series 55 lt/min 10 µ G3/4 Connection)	183	94	163
SOFH20-2001-D15-S25-H01	65	Spin On Filter (20 Series 65 lt/min 25 µ G3/4 Connection)	183	94	163
SOFH20-2101-D15-F10-H01	70	Spin On Filter (20 Series 70 lt/min 10 µ G3/4 Connection)	183	94	163
SOFH20-2101-D15-S25-H01	80	Spin On Filter (20 Series 80 lt/min 25 µ G3/4 Connection)	183	94	163
SOFH30-3001-D18-F10-H01	65	Spin On Filter (30 Series 65 lt/min 10 µ G 1 Connection)	258	94	238
SOFH30-3001-D18-S25-H01	75	Spin On Filter (30 Series 75 lt/min 25 µ G 1 Connection)	258	94	238
SOFH30-3101-D18-F10-H01	80	Spin On Filter (31 Series 80 lt/min 10 µ G 1 Connection)	258	94	238
SOFH30-3101-D18-S25-H01	90	Spin On Filter (31 Series 90 lt/min 25 µ G 1 Connection)	258	94	238
SOFH40-4001-D21-F10-H01	115	Spin On Filter (40 Series 115 lt/min 10 µ G 1 1/4 Connection)	245	127	218
SOFH40-4001-D21-S25-H01	150	Spin On Filter (40 Series 150 lt/min 25 µ G 1 1/4 Connection)	245	127	218
SOFH50-5001-D21-S25-H01	200	Spin On Filter (50 Series 200 lt/min 25 µ G 1 1/4 Connection)	270	135	342

Connection Measurement	D12	D15	D18	D21
	G 1/2"	G 3/4"	G 1"	G 1 1/4"

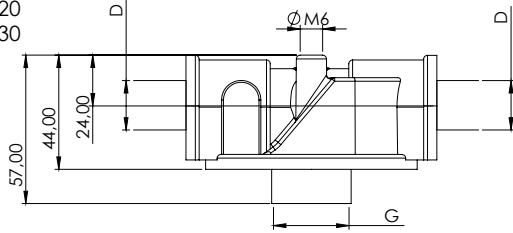
Filtration Value	F10	C25
	10 µ	25 µ
	Fiber Glass	Cellulose

HYDROAS Standart	H1

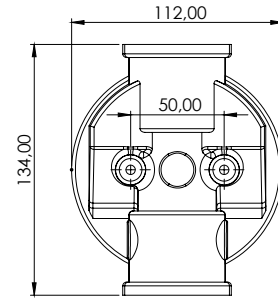
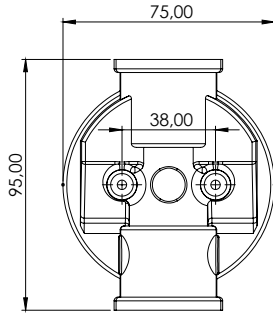
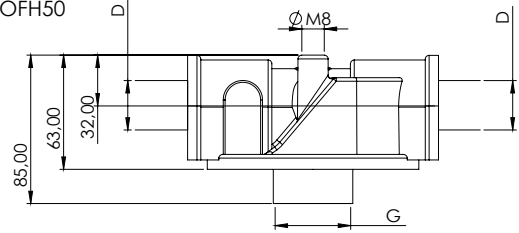
By-Pass Setting Valve	B17
	1,7 Bar

Hydraulic Spin-On Filter

SERIES : SOFH10  
SOFH20  
SOFH30



SERIES : SOFH40  
SOFH50



Filter Head Code	Product Description	G	D
SOHC-1001	Spare Component Head	3/4" x 16	G 1/2"
SOHC-2001	Spare Component Head	1" x 12	G 3/4"
SOHC-2101	Spare Component Head	1" x 12	G 3/4"
SOHC-3001	Spare Component Head	1" x 12	G 1"
SOHC-3101	Spare Component Head	1" x 12	G 1"
SOHC-4001	Spare Component Head	1 1/4" x 12	G 1 1/4"
SOHC-5001	Spare Component Head	1 1/2" x 16	G 1 1/4"



Spare Component Code	Product Description	Spare Component Connection Measurement UNF	H1	B
SOCC-1001-C25-D	Filter Element (10 Series 25 µ)	3/4" - 16 UNF	94	94
SOCC-2001-C25-D	Filter Element (20 Series 25 µ)	1" - 12 UNF	137	94
SOCC-2001-F10-D	Filter Element (20 Series 10 µ)	1" - 12 UNF	137	94
SOCC-2101-C25-D	Filter Element (21 Series 25 µ)	1" - 12 UNF	207	94
SOCC-2101-F10-D	Filter Element (21 Series 10 µ)	1" - 12 UNF	207	94
SOCC-3001-C25-D	Filter Element (30 Series 25 µ)	1" - 12 UNF	137	94
SOCC-3001-F10-D	Filter Element (30 Series 10 µ)	1" - 12 UNF	137	94
SOCC-3101-C25-D	Filter Element (31 Series 25 µ)	1" - 12 UNF	207	94
SOCC-3101-F10-D	Filter Element (31 Series 10 µ)	1" - 12 UNF	207	94
SOCC-4001-C25-D	Filter Element (40 Series 25 µ)	1 1/4" - 12 UNF	178	127
SOCC-4001-F10-D	Filter Element (40 Series 10 µ)	1 1/4" - 12 UNF	178	127
SOCC-5001-C25-D	Filter Element (50 Series 25 µ)	1 1/4" - 12 UNF	303	135

