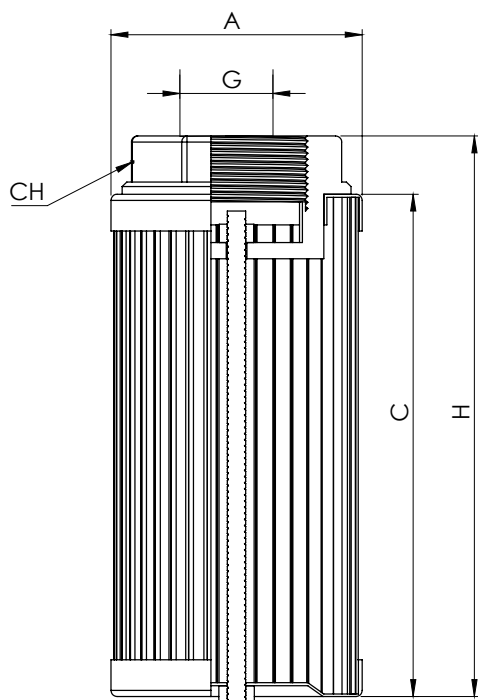


Hydraulic Suction Filter



Product Code	Flow lt/min	Product Description	G	A	C	H	CH
SFTH05-D06-149-H01	5	Suction Filter (5 lt/min 149 μ G 1/4" Connection)	1/4"	30	80	87	Ø 16
SFTH15-D18-149-H01	15	Suction Filter (15 lt/min 149 μ G 1" Connection)	1"	59	64	88	42
SFTH25-D18-149-H01	25	Suction Filter (25 lt/min 149 μ G 1" Connection)	1"	59	100	124	42
SFTH45-D18-149-H01	45	Suction Filter (45 lt/min 149 μ G 1/4" Connection)	1"	59	140	164	42
SFTH65-D24-149-H01	65	Suction Filter (65 lt/min 149 μ G 1 1/2" Connection)	1 1/2"	82	110	134	62
SFTH90-D24-149-H01	90	Suction Filter (90 lt/min 149 μ G 1 1/2" Connection)	1 1/2"	82	163	188	62
SFTH125-D24-149-H01	125	Suction Filter (125 lt/min 149 μ G 1 1/2" Connection)	1 1/2"	82	200	222	62
SFTH180-D24-149-H01	180	Suction Filter (180 lt/min 149 μ G 1" Connection)	1 1/2"	82	240	263	62
SFTH225-D27-149-H01	225	Suction Filter (225 lt/min 149 μ G 2" Connection)	2"	130	165	192	80
SFTH300-D27-149-H01	300	Suction Filter (300 lt/min 149 μ G 2" Connection)	2"	130	200	222	80
SFTH500-D27-149-H01	500	Suction Filter (500 lt/min 149 μ G 2" Connection)	2"	130	250	282	80
SFTH501-D30-149-H01	500	Suction Filter (500 lt/min 149 μ G 2 1/2" Connection)	2 1/2"	130	250	282	86
SFTH750-D33-149-H01	750	Suction Filter (750 lt/min 149 μ G 3" Connection)	3"	182	250	271	98
SFTH1400-D33-149-H01	1400	Suction Filter (1400 lt/min 149 μ G 3" Connection)	3"	182	500	523	98

Connection Measurement	D06	D18	D24	D27	D30	D33	D36
	G 1/4"	G 1"	G 1 1/2"	G 2"	G 2 1/2"	3"	4"

Filtration Value	149
	Metal Mesh / 149 μ

HYDROAS Standart	H01
Customized	HXX